

# 4700-4800 series

Momentary or alternate action  
pushbutton switches



## DISTINCTIVE FEATURES

Momentary or alternate

Butt action contacts

UL, CSA and VDE (EN 61058-1) approved



## ELECTRICAL SPECIFICATIONS

- Max. current/voltage rating with resistive load :  
- silver contacts (A) : 3 A 250 VAC - 6 A 125 VAC
- Initial contact resistance : 10 mΩ max.
- Insulation resistance : 1,000 MΩ min. at 500 VDC
- Dielectric strength : 2,000 Vrms 50 Hz min. between terminals  
3,000 Vrms 50 Hz min. between terminals and frame
- Electrical life : 10,000 cycles at full load



## GENERAL SPECIFICATIONS

- Torque : 0.95 Nm (.70 Ft.lb) max. applied to nut
- Panel thickness : 5 mm (.196) max. between 2 nuts
- Total travel : 4.5 mm (.177) +/- 0.5 (.019)
- Operating temperature : -20 °C to +65 °C (-4 °F to +149 °F)
- Hand soldering : 270 °C (518 °F) max. for 10 seconds max. -  
Iron Ø 3 mm (.118)



## MATERIALS

- Case : melamine-phenolic
- Plunger : polyamide
- Bushing : polyamide
- Contacts :  
A : silver  
APEM products may be recycled at end-of-life for the re-claiming of valuable metal components.

The company reserves the right to change specifications without notice.



# 4700-4800 series

Momentary or alternate action pushbutton switches



## MOUNTING

- Panel cut-out :  $\varnothing$  12.2 mm (.480)

## AGENCY APPROVALS



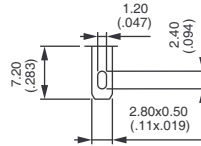
Models 4731A, 4736A, 4741A, 4746A are UL, CSA and VDE (EN 61058-1) approved.

Models 4831A, 4836A, 4841A, 4846A are VDE (EN 61058-1) approved.

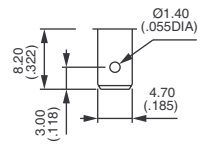
**Marking** : to order switches marked UL/CSA, complete appropriate box of ordering format. VDE is standard marked.



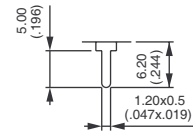
## TERMINALS



Solder lug



Quick-connect

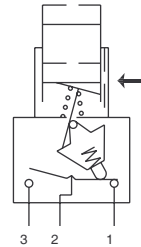


Straight PC terminals

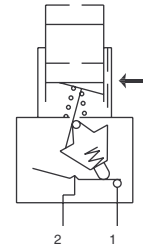


## ELECTRICAL FUNCTIONS

→ KEYWAY



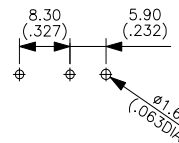
Function 6 (ON-ON)



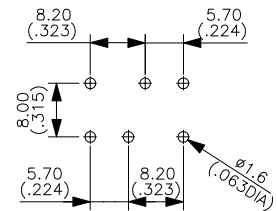
Functions 1 and 3

- Button returns in upper position after actuation

→ PCB LAYOUT



Single pole



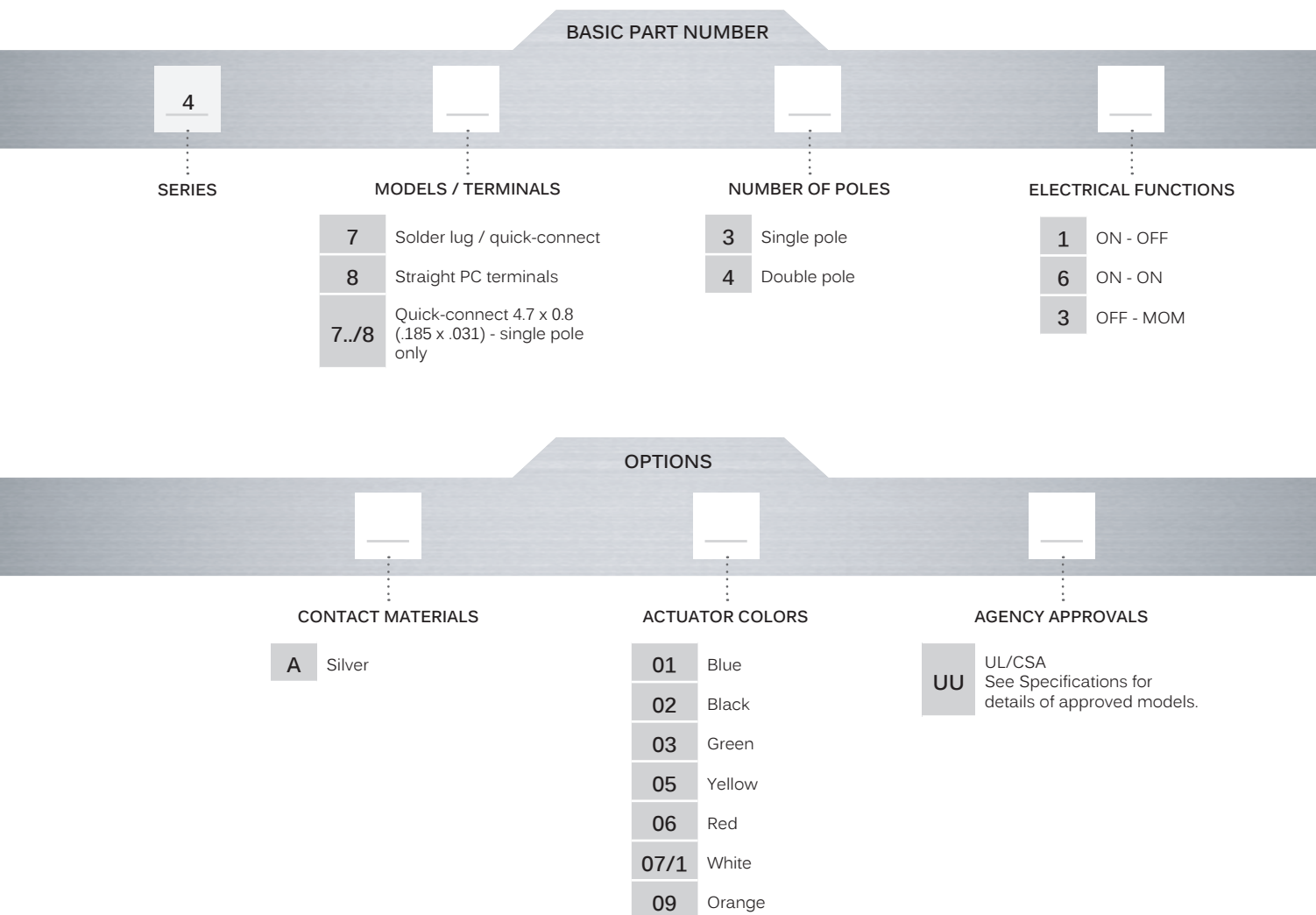
Dual pole

# 4700-4800 series

Momentary or alternate action pushbutton switches



## BUILD YOUR PART NUMBER



## ABOUT THIS SERIES

On the following pages, you will find successively basic part numbers of switches and options in the same order as in above chart.

- Notice** : please note that not all combinations of above numbers are available. Refer to the following pages for further information.
- Sealing boots** are available to protect the switches against dust and water. See "Sealing Boots" section of website.
- Mounting accessories** : standard hardware supplied with all models : 1 hex nut U166 and 1 knurled nut U520 in the same color as the plunger. Standard hardware is presented in the "Hardware" section of website.

# 4700-4800 series

Momentary or alternate action pushbutton switches

## SOLDER LUG/QUICK-CONNECT TERMINALS



Single pole		Double pole			
4731	4741	ON	-	OFF	
4736	4746	ON	-	ON	
4733	4743	OFF	-	MOM	

## STRAIGHT PC TERMINALS



Single pole		Double pole			
4831	4841	ON	-	OFF	
4836	4846	ON	-	ON	
4833	4843	OFF	-	MOM	

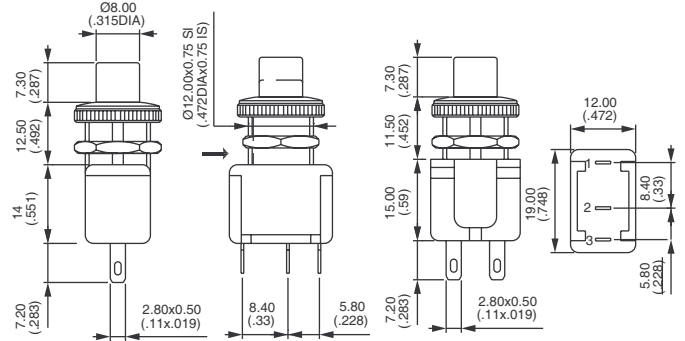
## QUICK-CONNECT TERMINALS 4.7 x 0.8 (.185 x .031)



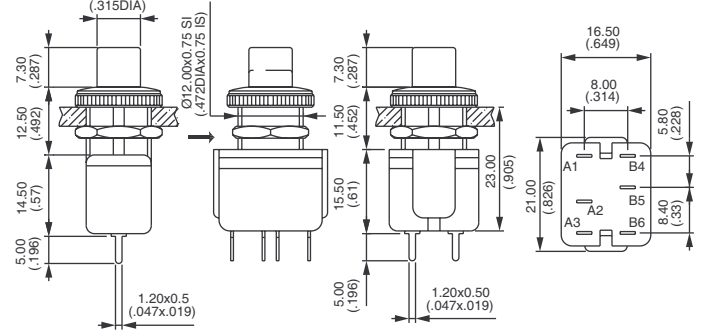
4731/8	ON	-	OFF
4736/8	ON	-	ON
4733/8	OFF	-	MOM

Minimum order : 1,000 pieces per type in one shipment.

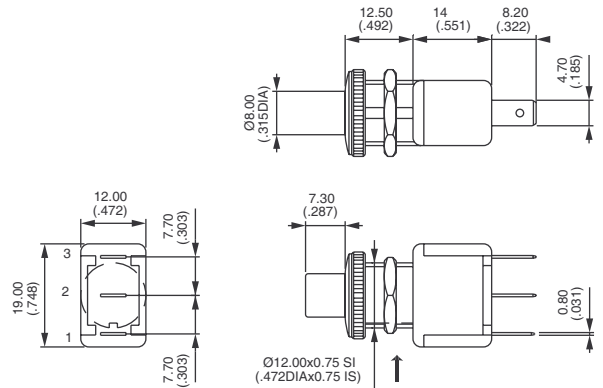
→ KEYWAY



→ KEYWAY



→ KEYWAY



# 4700-4800 series

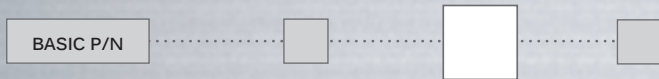
Momentary or alternate action  
pushbutton switches

## CONTACT MATERIALS



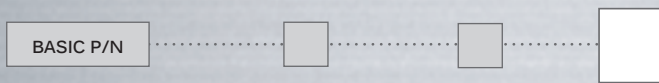
A Silver

## ACTUATOR COLORS



- 01 Blue
- 02 Black
- 03 Green
- 05 Yellow
- 06 Red
- 07/1 White
- 09 Orange

## AGENCY APPROVALS



UU UL-CSA

**Availability** : see specifications for details or approved models.

**Marking** : to order switches marked UL-CSA, complete above box with "UU".

VDE approval is standard marked.